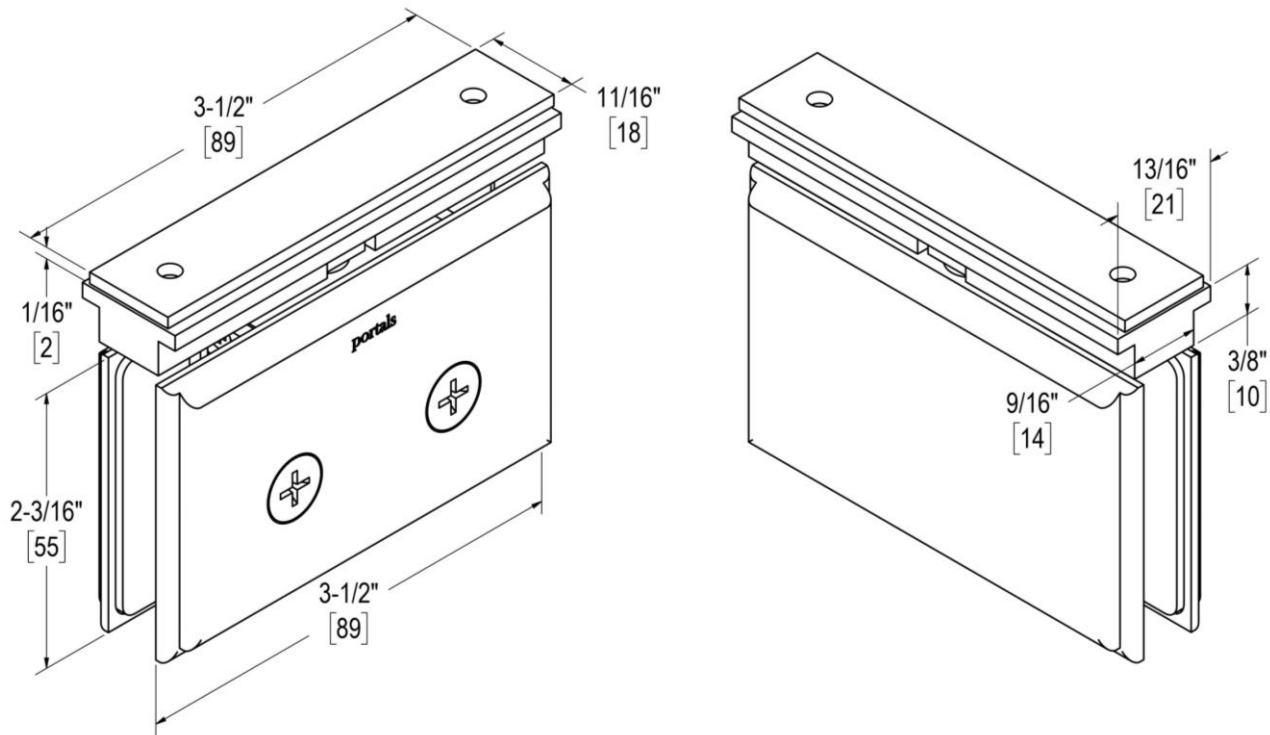


SYMPHONY

STANDARD DUTY PIVOT HINGE WITH ADJUSTABLE HEADER BRACKET & 5° OFFSET (LH)

Product Code: L.10.165LH-85

portals



MATERIALS

- Solid brass body, Dacromet-coated steel springs, stainless steel fasteners, and clear PVC gaskets
- Optional Allen head screws for cover plate included

FUNCTION DETAILS

- Pivot hinges support wider, heavier glass doors because majority of door weight is supported by the floor.
- Self-closing within ~25° of close position.
- Integrated gaskets are adhered to hinges, fully isolating glass from metal and simplifying installation.
- Available in several different mounting styles to suit your installation.
- Extensive product testing simulates use well beyond the average lifespan of a typical shower enclosure.

PRODUCT NOTES

- Item requires glass fabrication and should only be used with tempered safety glass.
- Hinge position can be inset from wall via cutout location to accommodate door/wall projections and allow use of full-length vertical seal.
- *When viewed from outside the shower, L.10.165LH-85 hinges must be installed in TOP RIGHT position for positive close.*

CARE & MAINTENANCE

Portals products should be cleaned with water and dried with a soft cloth. Use of harsh or abrasive chemicals may harm finish and will void the warranty.

WARRANTY

Lifetime warranty for residential use covers defects in material and workmanship of this product.

Max. Capacity:	2 Hinges
Door Width	32" [813 mm]
Door Weight	110 lbs [50 kg]
Glass Thickness	3/8" [10 mm] to 1/2" [12 mm]

SYMPHONY

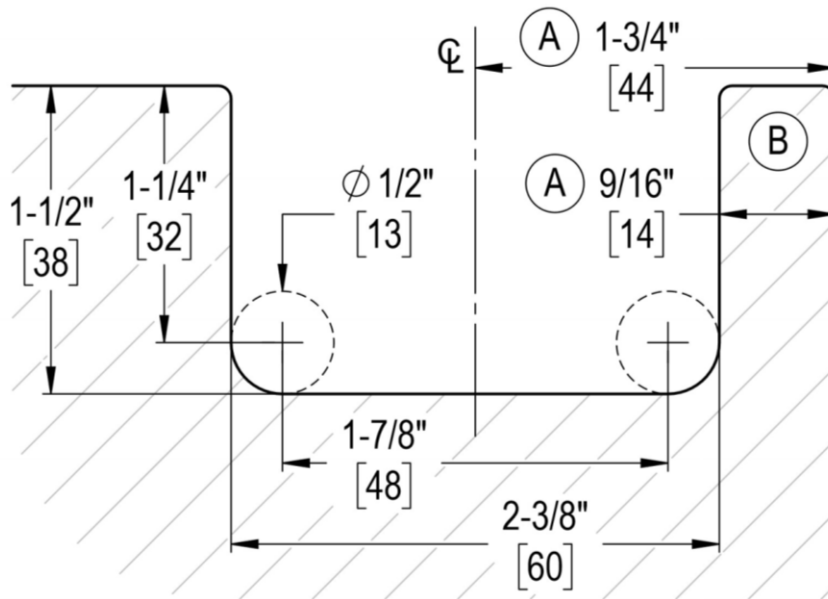
STANDARD DUTY PIVOT HINGE WITH ADJUSTABLE HEADER BRACKET & 5° OFFSET (LH)

Product Code: L.10.165LH-85

portals

GLASS TEMPLATE

Glass/Header Clearance = 1/8" [3 mm]
Bottom Clearance (w/ Top/Bottom Mount Hinge): 7/16" [11 mm]
Side clearance depends on hinge installation location



A
Dimension(s) can be increased as needed to accommodate projections

B
"Leg" may need to be shortened depending on capabilities of temperer

TEMPLATES & CLEARANCES

- Item requires glass fabrication according to the template(s) provided.
- Hinge install location affects size of gap between wall and hinge side of glass door: Smaller gaps allow a tighter fit and less water leakage, but may interfere with use of vinyl seals.
- Clearance values must be taken into account when sizing doors and panels.

INSTALLATION NOTES

- When viewed from outside the shower, L.10.165LH-85 hinges must be installed in TOP RIGHT position for positive close.
- Do not exceed maximum door weight or width.
- Prior to installation, use alcohol pads to thoroughly clean areas of glass that will come in contact with gaskets. These areas should also be free of any protective coatings applied to the glass.
- Cover plate machine screws should only be hand-tightened to 3 ft/lbs.

HEADER & COMPATIBILITY

- Standard & Adjustable brackets must be paired with correct header type.
- Standard brackets require drilling through header. Adjustable brackets do not require drilling & allow lateral adjustment after installation.

Max. Capacity:	2 Hinges
Door Width	32" [813 mm]
Door Weight	110 lbs [50 kg]
Glass Thickness	3/8" [10 mm] to 1/2" [12 mm]